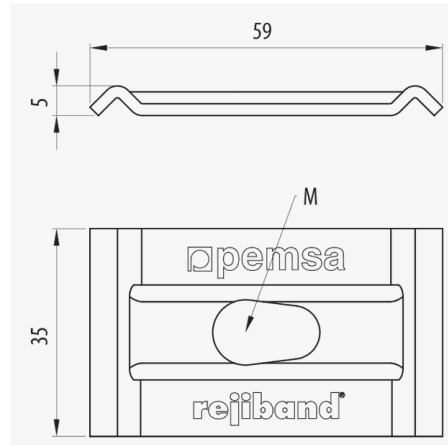


**Central Hanging Plate** ( Ref: 67010046 )



**Description**

Central mounting bracket, in M6, M8 and M10, for Rejiband® wire mesh tray. M10, M10, With EZ protection system, EZ3 finish. It allows the introduction of cables into the tray from the side and saves installation time when mounting it with a single rod and the respective nuts. Available in various Protection Systems.

**Advantages**

Suitable for tray widths from 100 to 200 mm inclusive.

Available in various protection systems: EZ, BC, GC, high resistance BK C8 and passivated stainless steel AISI 316.

Available in various diameters: M6, M8 and M10.

The ceiling mount allows the introduction of cables into the tray from the side, saves in installation time and cost of material.

Thanks to its shape it adapts easily for anchoring to the rods.

**Applications**

Suitable for the ceiling mounting of Rejiband in widths from 100 to 200 mm by means of a single rod in indoor installations in a dry atmosphere with no contaminants, exterior, industrial, marine, rural or aggressive interior installations.

**Solutions**



**Central Hanging Plate** ( Ref: 67010046 )

**Product data**

<b>ETIM 10</b>	EC001003	<b>u</b>	20
<b>Huella de CO2. GWP A1-A3 (kg CO2 eq.)</b>	0	<b>Material</b>	Steel with surface coating
<b>Protection System</b>	EZ	<b>SWL (kg)</b>	70
<b>Finish</b>	EZ3, Electrogalvanised	<b>Working temperature range (°C)</b>	-50 / 150 °C
<b>Resistance Class</b>	Class 3	<b>Fire resistance</b>	A1 No combustible
<b>M/PG</b>	M10		
<b>kg/u</b>	0,031		

**Protection System**

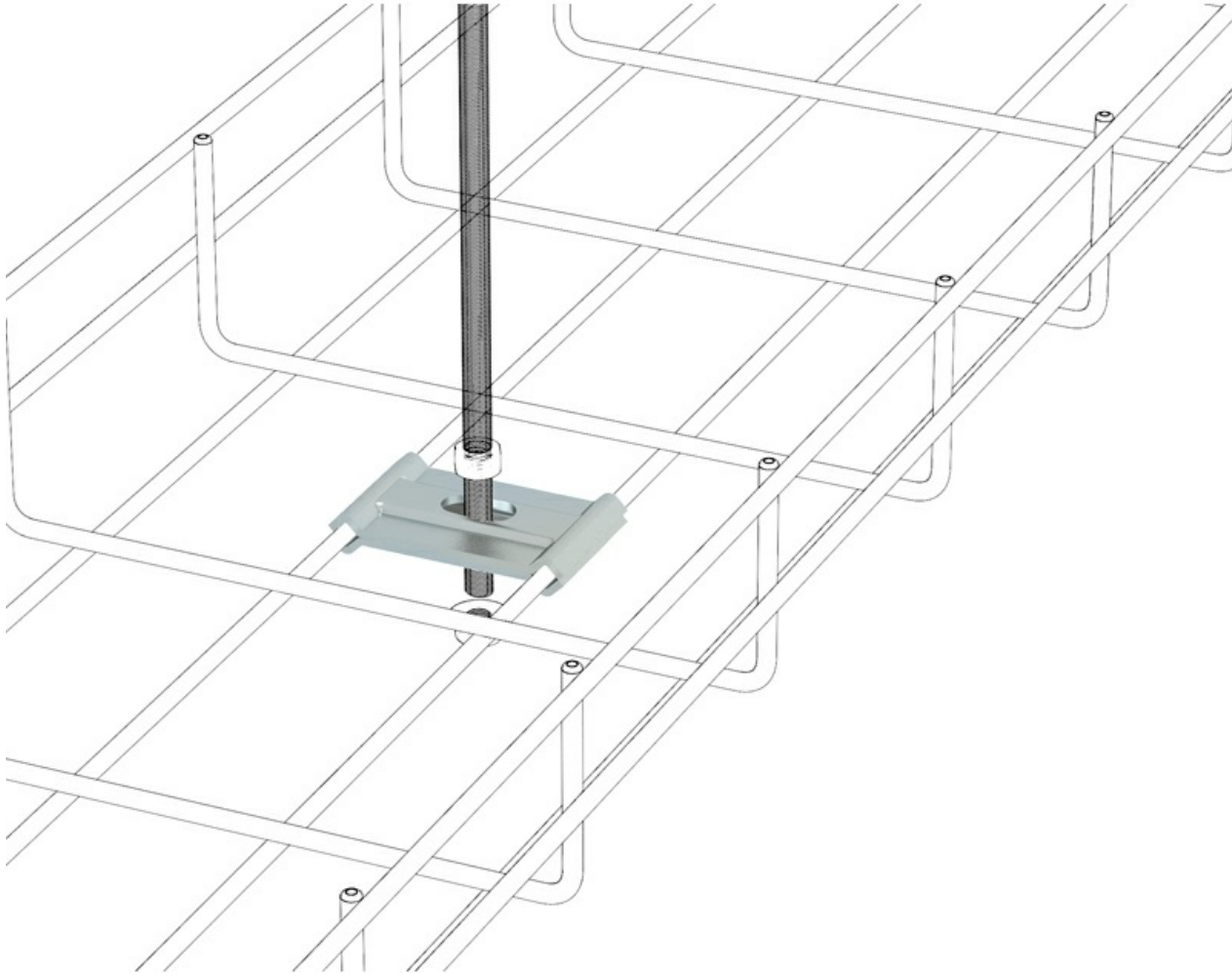
- CU - Copper electroplated
- PG - Pregalvanised
- EZ - Electrogalvanised
- BC - Electrogalvanised Bichromate
- BK8 - High Resistance Coating
- GC - Hot Dip Galvanising
- INOX - Stainless Steel
- PT - Polyester Paint
- AL - Aluminum
- LN - Brass or Nickel-plated brass

**Insulating materials**

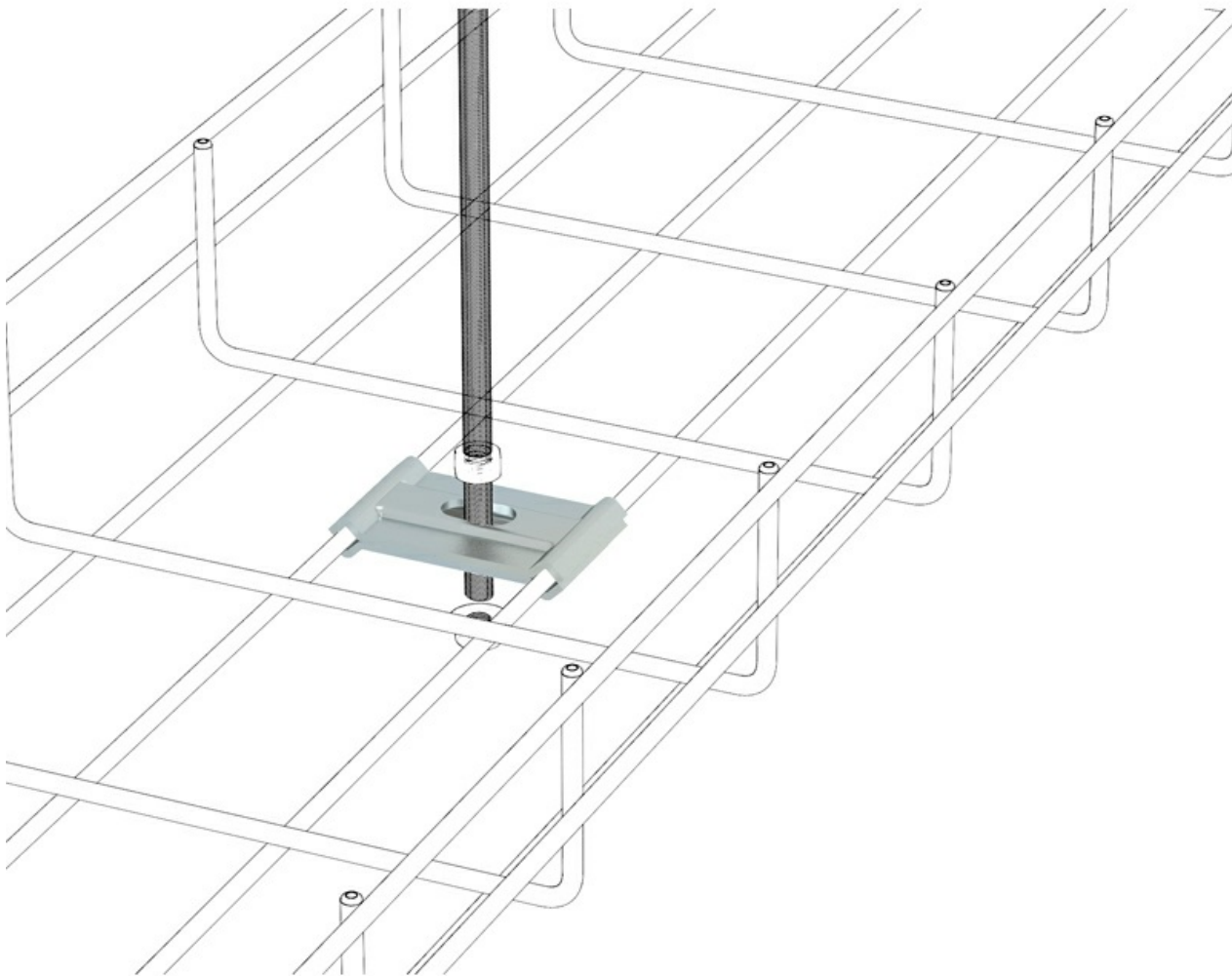
- PC+ABS - Halogen Free Polycarbonate + ABS
- PVC - Polyvinyl Chloride
- PP - Halogen Free Polypropylene
- PA6 - Halogen Free Polyamide 6
- PA12 - Halogen Free Polyamide 12
- PU - Polyurethane
- PE - Polyethylene
- NBR - NBR rubber
- PET - Thermoplastic Polyester
- TPV - Thermoplastic



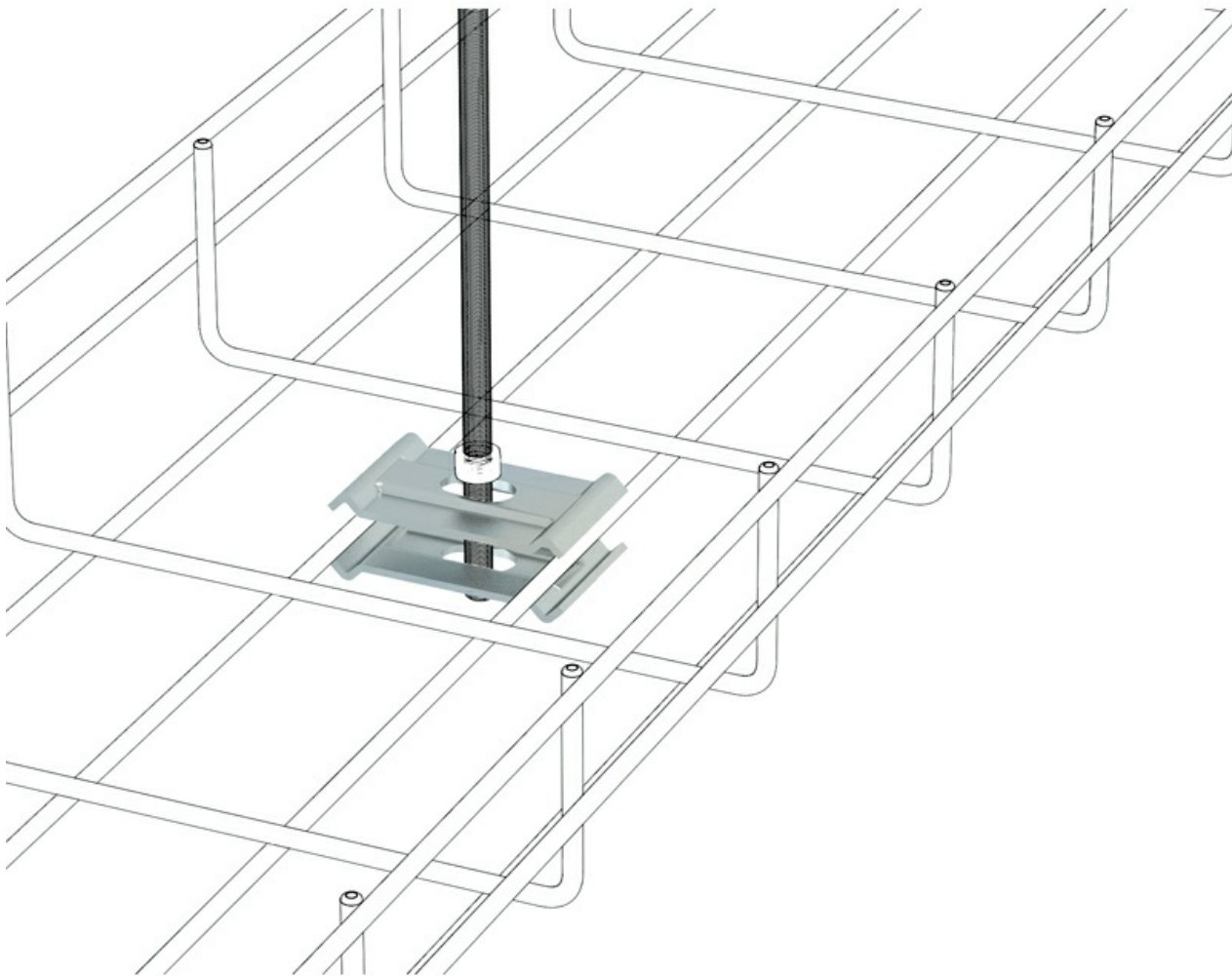
**Product applications**



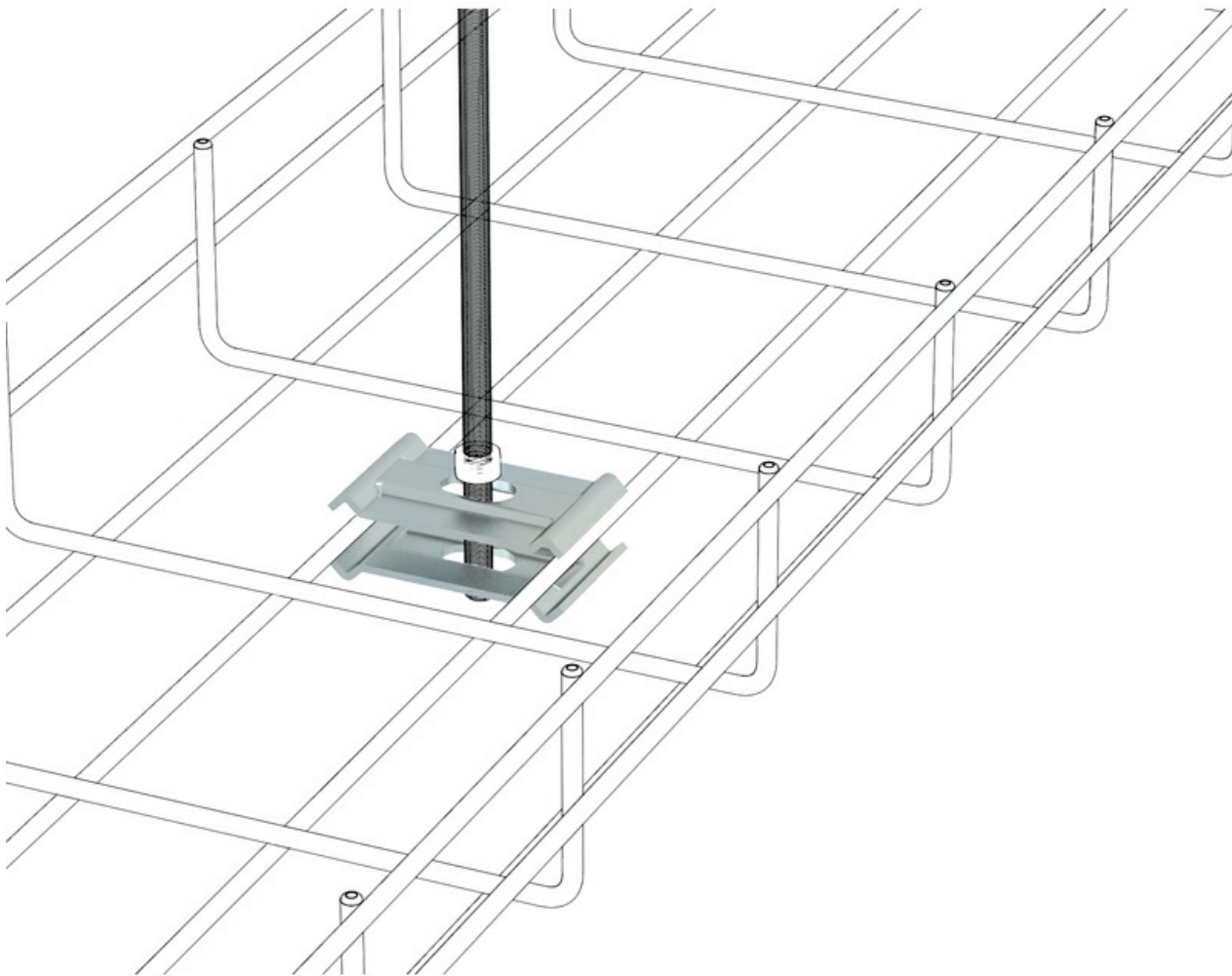
**Central Hanging Plate** ( Ref: 67010046 )



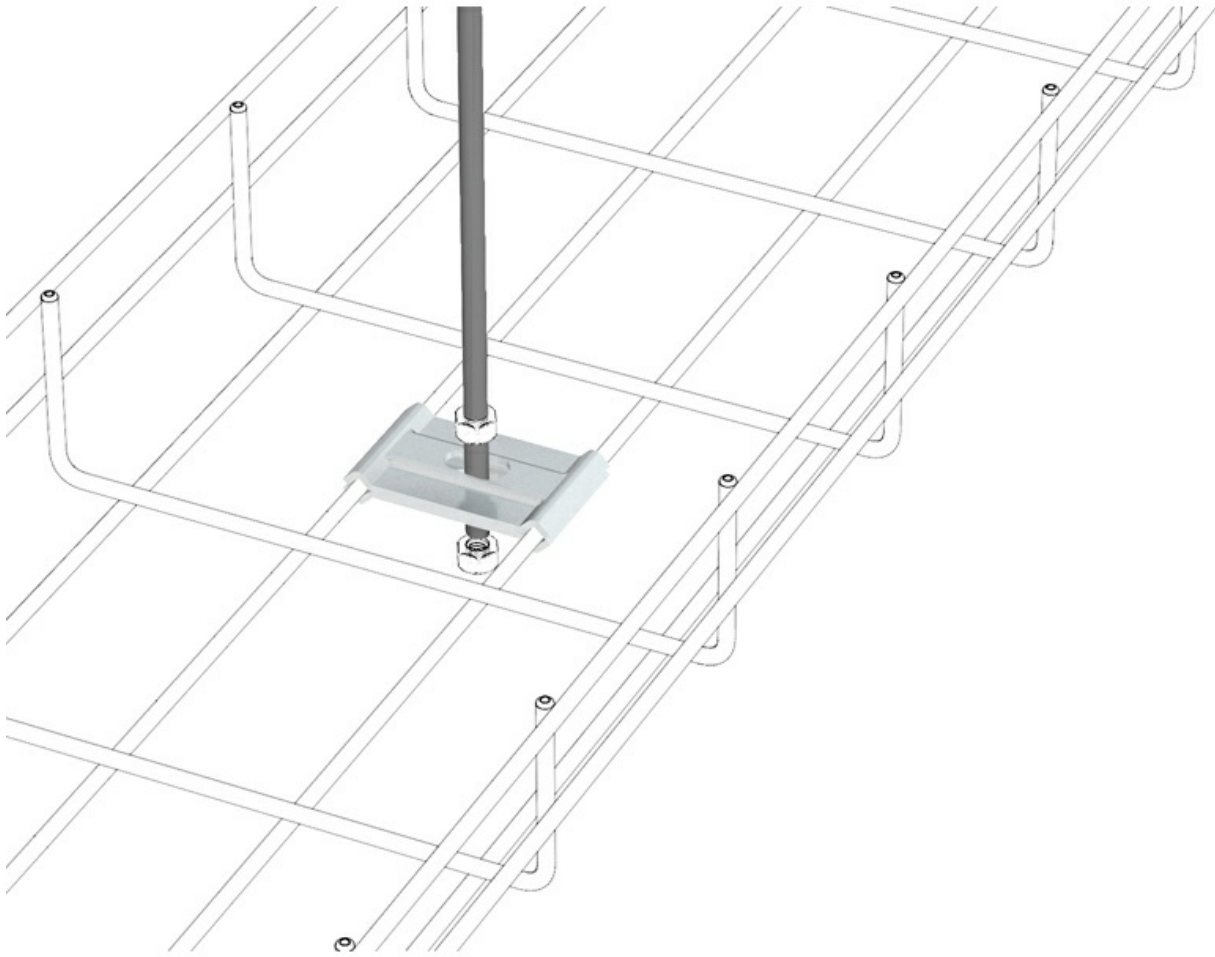
**Central Hanging Plate** ( Ref: 67010046 )



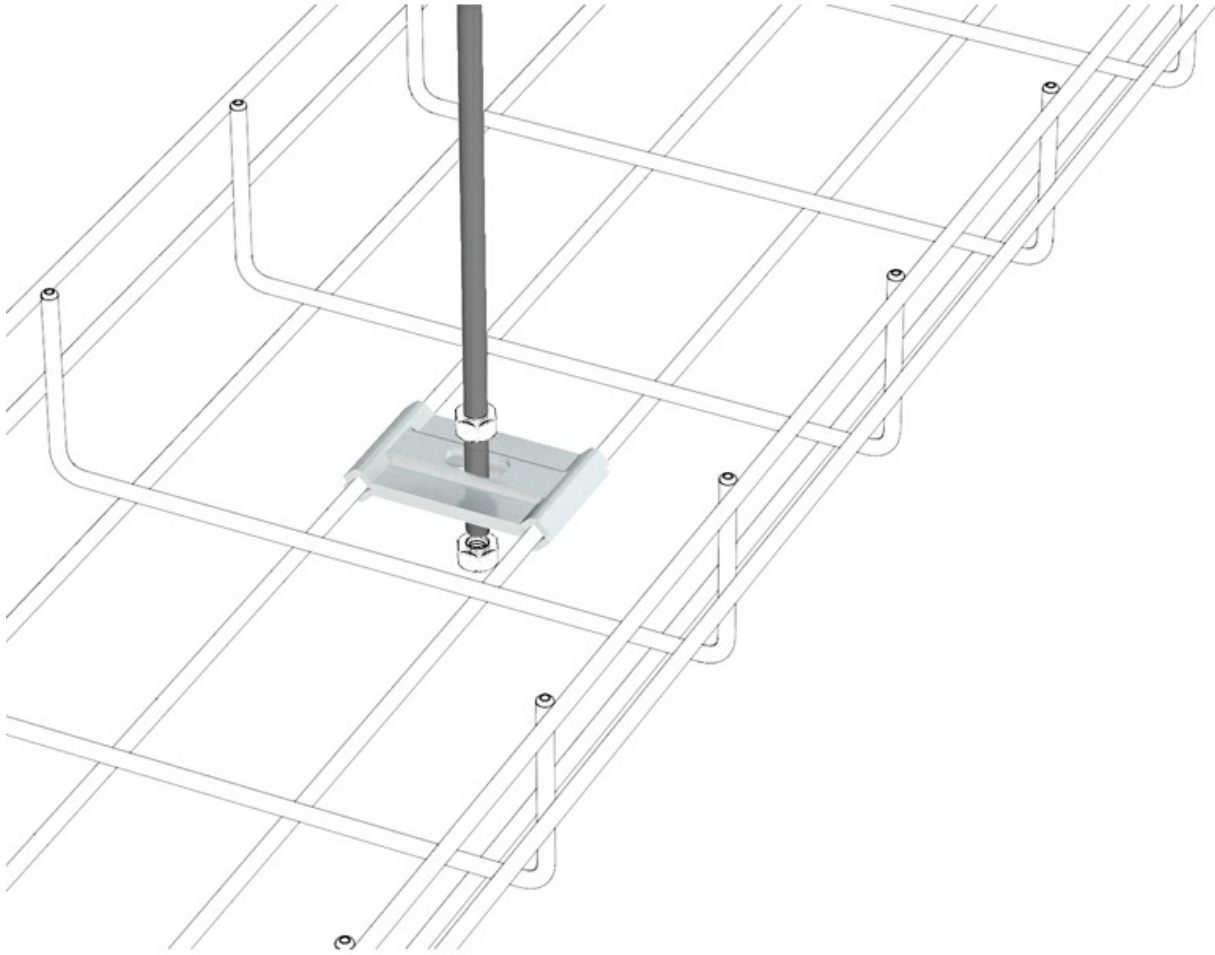
**Central Hanging Plate** ( Ref: 67010046 )



**Central Hanging Plate** ( Ref: 67010046 )

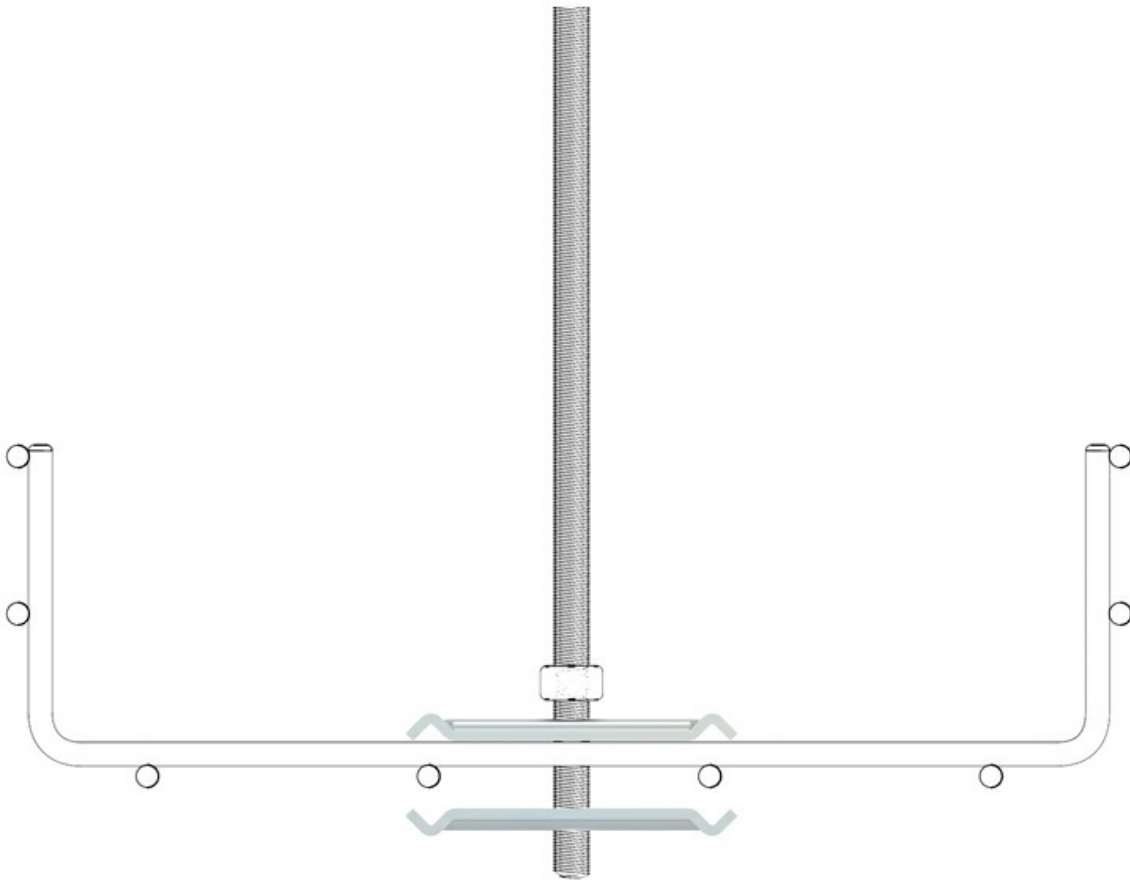


**Central Hanging Plate** ( Ref: 67010046 )





**Central Hanging Plate** ( Ref: 67010046 )



**Central Hanging Plate** ( Ref: 67010046 )

