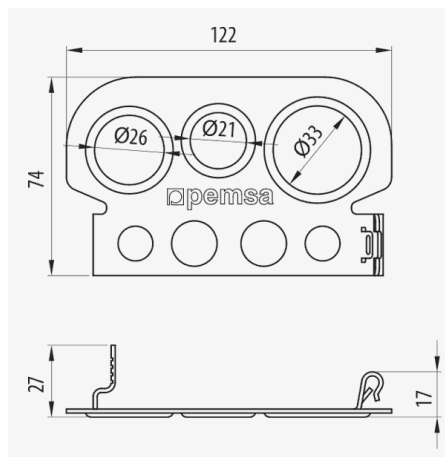


Conduit Gland Bracket (Ref: 67010040)



Description

Conduit outlet is a Rejiband® accessory used to protect the wiring output to rigid or flexible conduits. Maximum diameter DN16 mm, With EZ protection system. It allows connection of fittings in types PG13, PG16, PG21, M20 and M25. It is installed using the quick-fit Click system without the need of screws and can be placed in the flange or in the base of the tray. Suitable for all sizes of Rejiband® trays and available in various Protection Systems.

Advantages

It accepts fittings in sizes of: PG13, PG16, PG21, M20 and M25.

Fixing by quick mount click system.

Protects the cable outlet.

Quick installation without the need for screws or fastenings.

Can be used with TFA, ECOFLEX, TM-PVC + Pemsa RGp.

Applications

Allows the connection of fittings or glands and allows the output of electrical or telecommunications wiring from rigid or flexible conduits.

Solutions



Conduit Gland Bracket (Ref: 67010040)

Product data

ETIM 10	EC002410	u	10
Huella de CO2. GWP A1-A3 (kg CO2 eq.)	0	Material	Steel with surface coating
Protection System	EZ	Working temperature range (°C)	-50 / 150 °C
Finish	EZ3, Electrogalvanised	Fire resistance	A1 No combustible
Resistance Class	Class 3		
DN	NW16		
kg/u	0,082		

Protection System

- CU - Copper electroplated
- PG - Pregalvanised
- EZ - Electrogalvanised
- BC - Electrogalvanised Bichromate
- BK8 - High Resistance Coating
- GC - Hot Dip Galvanising
- INOX - Stainless Steel
- PT - Polyester Paint
- AL - Aluminum
- LN - Brass or Nickel-plated brass

Insulating materials

- PC+ABS - Halogen Free Polycarbonate + ABS
- PVC - Polyvinyl Chloride
- PP - Halogen Free Polypropylene
- PA6 - Halogen Free Polyamide 6
- PA12 - Halogen Free Polyamide 12
- PU - Polyurethane
- PE - Polyethylene
- NBR - NBR rubber
- PET - Thermoplastic Polyester
- TPV - Thermoplastic



www.pemsa-rejiband.com

Any information included in this document is property of Pemsa®. It cannot be copied, total or partially, nor disclosed to third parties nor used without the explicit and written authorization by Pemsa®. These documents total or partially, can be subject to patent and/or be patent pending and therefore protected by intellectual and industrial property rights. Pemsa, Rejiband, Pemsaband, Inducanal, Rejitech, Megaband, Pemsaflex are registered trademarks property of "Pemsa Cable Management, S.A."



Product applications

